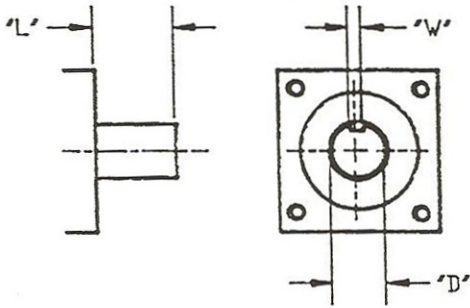


OPTIONAL MALE SHAFT



MODEL NO.	"D"	"L"	"W"
KR-750	.8735	1.31	1/4 X 1/8 X 1 LG
KR-1500	.8750		
KR-3000	1.248	1.88	5/16 X 5/32 X 1-1/2 LG
KR-6250	1.250		
KR-12500	2.248	3.38	9/16 X 9/32 X 2-3/8 LG
KR-25000	2.250		
KR-62500	2.998	4.50	3/4 X 3/8 X 3-3/8 LG
KR-125000	3.000		
KR-250000	4.998	7.50	1-1/4 X 5/8 X 6 LG
KR-500000	5.000		

ADDITIONAL SHAFT OPTIONS:

MALE SPLINE - SAE 10B

FEMALE SPLINE - SAE 10B

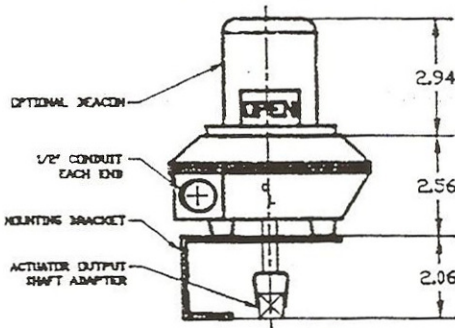
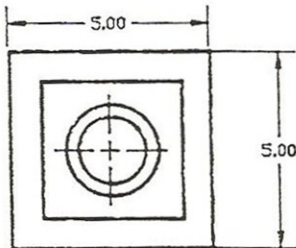
SQUARE END

AVAILABLE FOR ALL LISTED ACTUATORS
PLEASE CONTACT THE KERRY COMPANY
FOR DIMENSION DETAILS.

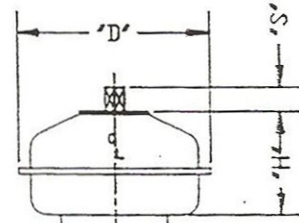
ROTATION CONTROL OPTIONS:

- A - EXTERNAL STROKE ADJUSTERS 0-30°
- B - INTERNAL STROKE ADJUSTERS 0-5°
- C - CUSHIONS
- D - INTERNAL STROKE ADJUSTER WITH ADJUSTABLE CUSHION
- E - DOUBLE RACK ADJUSTER AND CUSHION COMBINATION (2 RACK MODELS ONLY)

ROTATION CONTROL



SHAFT OPTIONS



ROTARY ACTUATOR
THIS END

MODEL NO.	CAPACITY IN-LBS.	"H"	"D"	"S"	WEIGHT LBS.
SR-800	800	3.62	7.90	1.02	32.6
SR-1200	1200	4.41	8.11	1.02	48.5
SR-1800	1800	5.35	10.16	1.22	61.7
SR-3300	3800	8.54	10.16	1.50	114.0
SR-4100	4100	6.85	15.50	1.50	157.0

NOTE: TOTAL ADDITIONAL HEIGHT WILL VARY DEPENDING UPON SHAFT TYPE AND REQUIRED ADAPTER PLATES.

SPRING RETURN UNITS

SWITCH SPECIFICATIONS:

STANDARD FEATURES:

- DIE-CAST ALUMINUM HOUSING - NEMA 4 RATED
- (6) CONTACT TERMINAL STRIP (ADDITIONAL AVAILABLE)
- (2) SPDT SWITCHES - 15 AMP - UL & CSA LISTED - 125 OR 250 VAC

ADDITIONAL OPTIONS:

- OPEN/CLOSED INDICATOR BEACON
- (4) SPDT SWITCHES - 15 AMP - UL & CSA LISTED - 125 OR 250 VAC
- (2) DPDT SWITCHES - 10 AMP - UL & CSA LISTED - 125 OR 250 VAC
- RESISTIVE OUTPUT SIGNAL - 1000 OHM
- CURRENT OUTPUT SIGNAL - 4-20mA DC - 2 WIRE

NOTE: OTHER OPTIONS AND CONFIGURATIONS AVAILABLE
PLEASE CONTACT THE KERRY COMPANY FOR DETAILS
OR REQUIREMENTS TO MEET YOUR NEEDS.

THE KERRY CO., INC. SEALED SELF CONTAINED

ELECTRO-HYDRAULIC SERIES K-R ROTARY ACTUATOR

OPTIONS: SWITCH HOUSING-SPRING RETURN UNIT-SHAFT END